

NEW FIELD-BOLTED SIDEPLATE® MOMENT CONNECTION

For R=3 wind and low-seismic applications

NO FIELD WELDING REQUIRED

- **STIFFER SIDEPLATE® CONNECTION REDUCES LATERAL STEEL TONNAGE**
- **EASIER TO ERECT: BEAM LOWERED ONTO SUPPORT ANGLES**
- **SLOTTED HOLES FOR EASY FIT-UP**



- **NO SHEAR TAB REQUIRED**
- **SHOP WORK IS STILL ALL DOWN-HAND FILLET WELDS**

For more information: Toll Free 800 475 2077 Tel 949 305 7889 www.sideplate.com
SIDEPLATE SYSTEMS, INC. a subsidiary of Mitek, a BERKSHIRE HATHAWAY Company

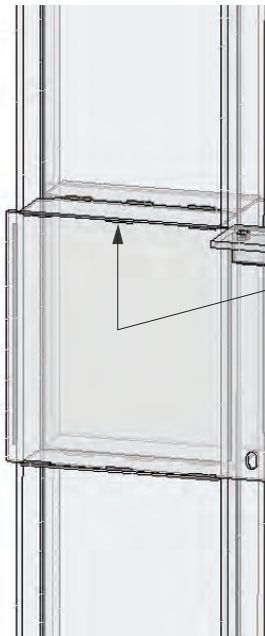
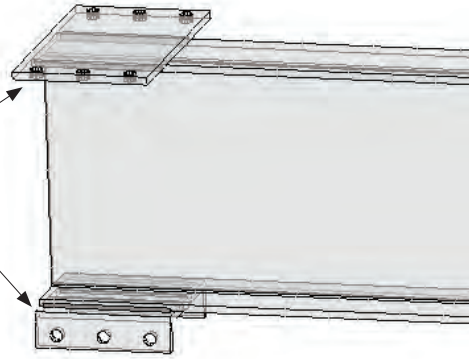
 **SIDEPLATE®**
Setting the Steel Frame Standard™

NEW FIELD-BOLTED SIDEPLATE® MOMENT CONNECTION

Beam Configuration

No bolt holes through beam or column

Standard holes for bolt bearing



Column Tree

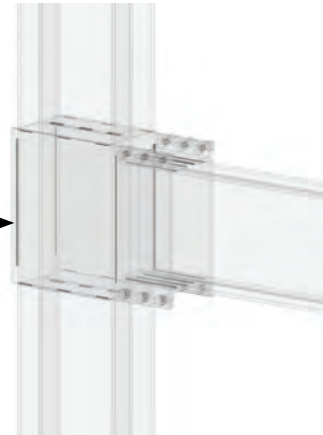
Transverse slots for easy fit-up

Tack welded

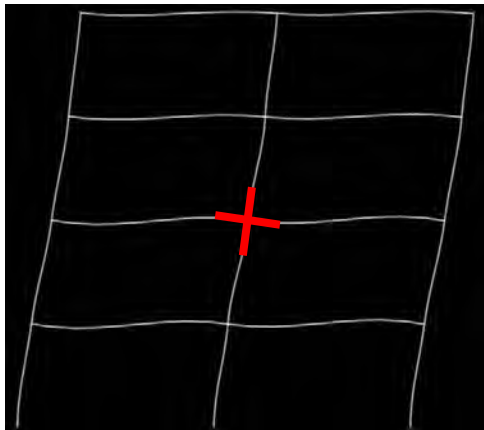
Vertical slots for easy fit-up

Alternative configuration

Beam or column can be HSS

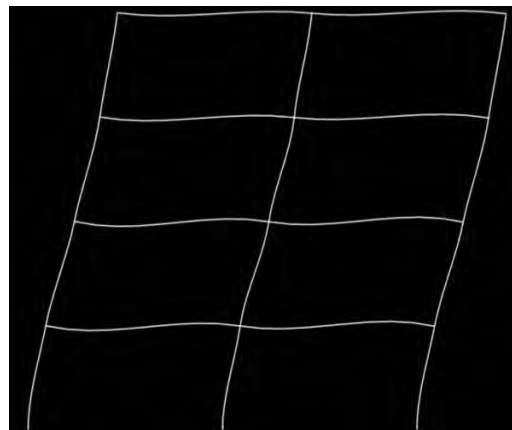


SidePlate® moment connections



Drift = 1.65"

Other moment connections



Drift = 2.35"

For nearly 20 years, SidePlate® connection technology has delivered construction cost savings and high-performance to steel buildings. SidePlate® connections are much stiffer and more ductile than conventional moment connections, so our designs use less structural steel (and often fewer joints). Now, our new field-bolted SidePlate® connection option can eliminate all field-welding on projects governed by wind or low seismic (R=3). What does that mean for your projects? Less steel tonnage, less field labor, and lower construction costs. Not to mention our engineers provide the best design assistance and customer service in the industry at no charge to the design team. Contact us today to find out what we can save on your project.